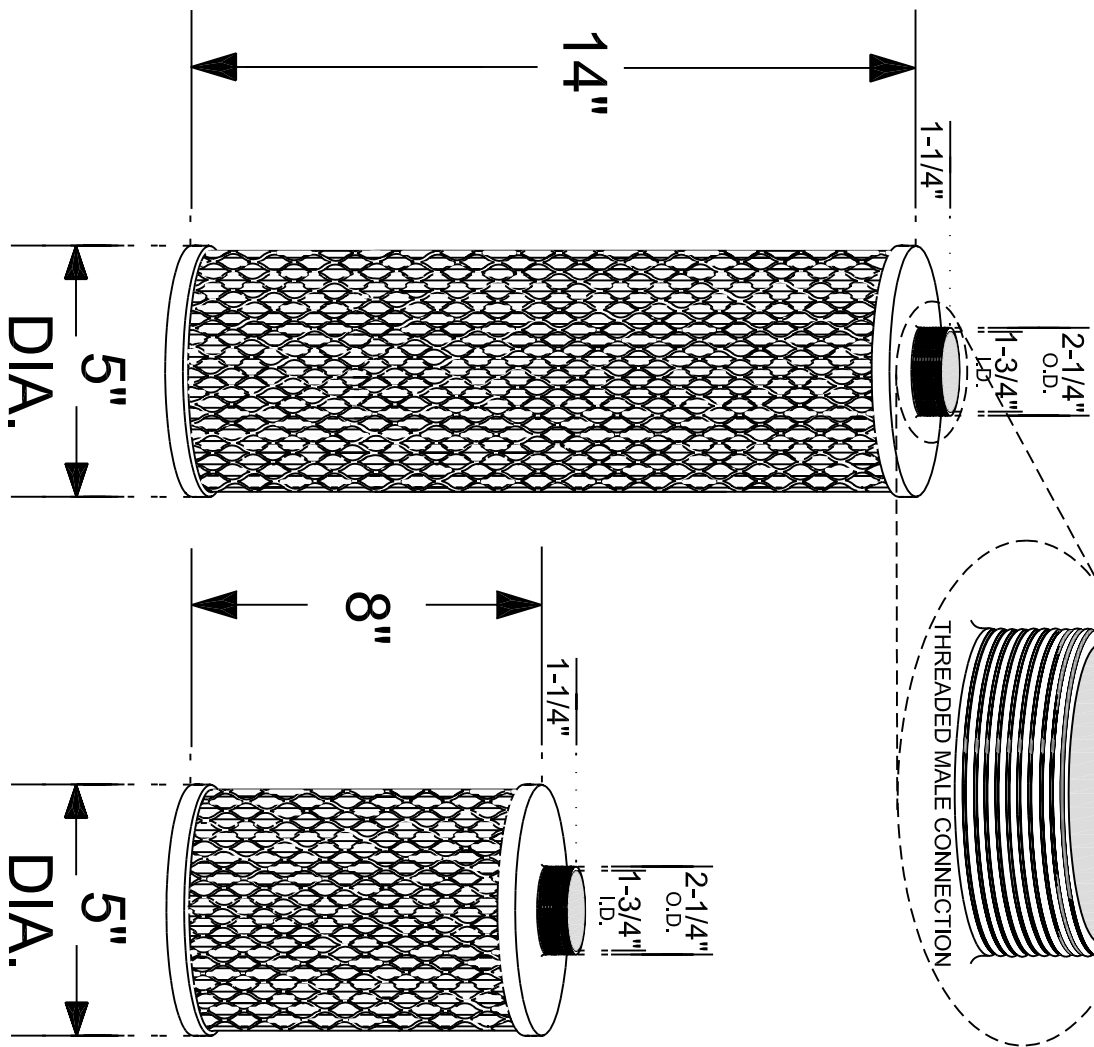
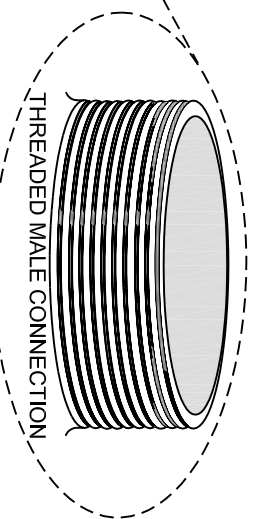




Midwest Filtration Company Engineered Products Division



942-EO-14-000N

942-EO-08-000N

942-EO-04-000N

942-EO-03-000N

MATERIALS OF CONSTRUCTION

- FILTER MEDIA: GLASS MICROFIBER MEDIA WITH POLYMERIC SUPPORT LAYERS, PLEATS SPACED WITH POLYMERIC NETTING.
- END CAPS: POLYPROPYLENE (WHITE)
- RETAINER: EXTRUDED POLYPROPYLENE MESH, SEAM SECURED WITH VINYL TAPE.
- POTTING ADHESIVE: POLYPROPYLENE

PERFORMANCE SPECIFICATIONS

- EFFICIENCY: 99.97% MINIMUM (0.3 MICRON AND LARGER PARTICULATE) AT RATED FLOW.
- RESISTANCE: 1.0 INCH OF WATER NOMINAL AT RATED FLOW
- RATED FLOW: SEE TABLE

PART NUMBER	HEIGHT	FILTER AREA FT ²	RATED FLOW
PE51030M04P	3.00	3.16	15 cfm
PE51040M04P	4.00	4.42	20 cfm
PE51080M04P	8.00	9.46	40 cfm
PE51140M04P	14.00	17.06	70 cfm

INCINERABLE HEPA FILTER SIZES

REVISED 07/29/03 BY: D DUGGER
ADDED FILTER AREA PER FT².